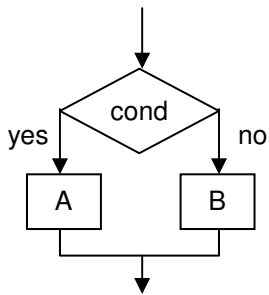
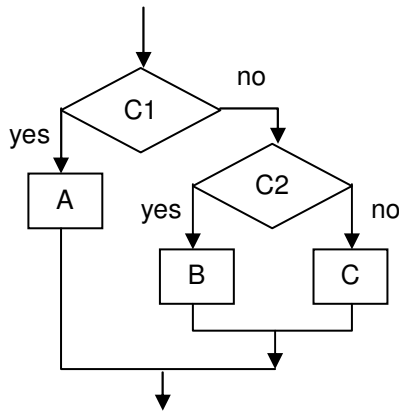


# Nested If's



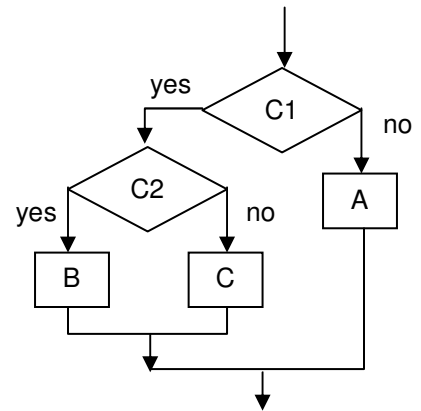
```

if (cond)
{
  A;
}
else
{
  B;
}
  
```



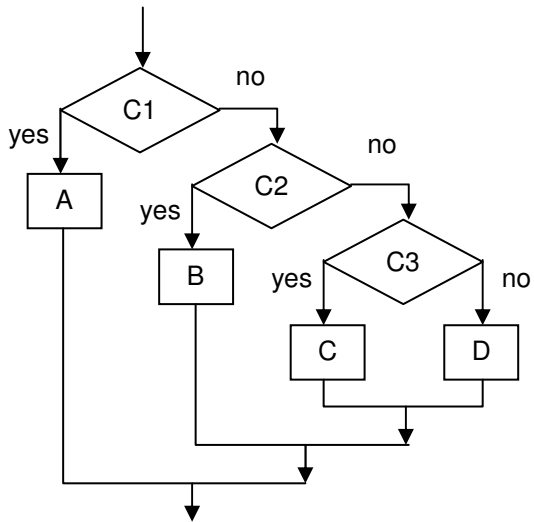
```

if (C1)
{
  A;
}
else
{
  if (C2)
  {
    B;
  }
  else
  {
    C;
  }
}
  
```



```

if (C1)
{
  if (C2)
  {
    B;
  }
  else
  {
    C;
  }
}
else
{
  A;
}
  
```



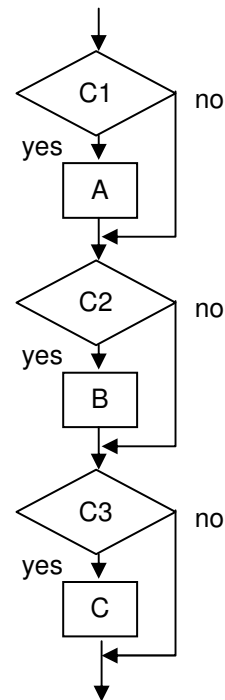
```

if (C1)
  A;
else
  if (C2)
    B;
  else
    if (C3)
      C;
    else
      D;
  
```

### Alternate Form:

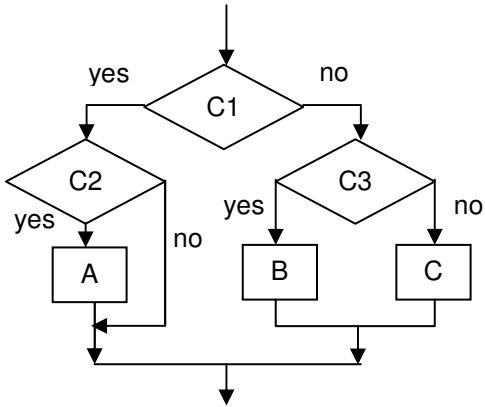
```

if (C1)
  A;
else if (C2)
  B;
else if (C3)
  C;
else
  D;
  
```



```

if (C1)
  A;
if (C2)
  B;
if (C3)
  C;
  
```



```

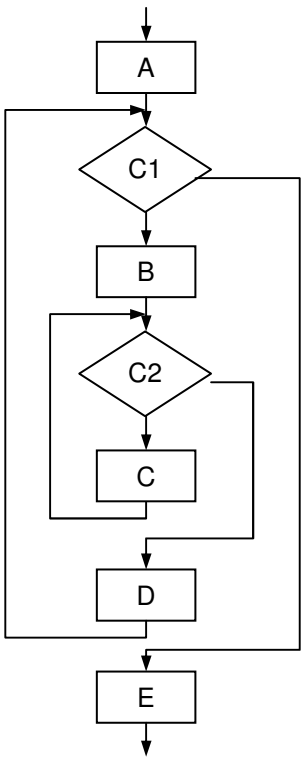
if (C1)
{
  if (C2)
  A;
}
else
{
  if (C3)
  B;
  else
  C;
}
  
```

**Practice:** Convert the following code into a flowchart:

```

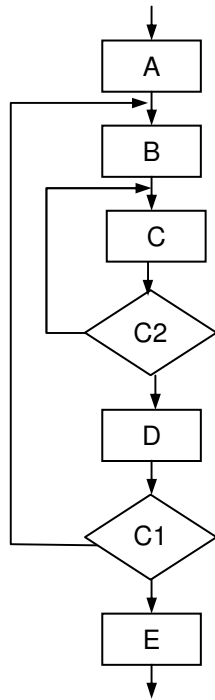
if (C1)
{
  A;
  if (C2)
  {
    if (C3)
    B;
    else
    C;
  }
  else
  {
    D;
    if (C4)
    E;
  }
}
else
F;
  
```

### Nested Loops



```

A;
while (C1)
{
  B;
  while (C2)
  {
    C;
  }
  D;
}
E;
  
```



```

A;
do
{
  B;
  do
  {
    C;
  } while (C2);
  D;
} while (C1);
E;
  
```

```

// Produce multiplication
// table

#include <iostream>
#include <iomanip>
Using namespace std;

void main()
{
  int r, c;

  r = 1;
  while (r <= 10)
  {
    c = 1;
    while (c <= 10)
    {
      cout << setw(4)
        << (r * c);
      c++;
    }
    cout << endl;
    r++;
  }
}
  
```